

Nest H3

800 x 600

CPP 200



Nestable plastic half pallet

As a sustainable half pallet, the Nest H3 is impressive for its simple, secure handling. Its rounded corners, smooth surfaces and low weight offer decisive advantages when empty pallets must be moved and stacked.

Bottom support



> 6 feet (6F)

Deck options



> open deck (OD)



Available without safety rim (optional)



Safe and easy handling due to rounded edges.



Easy extraction out of pallet stack.

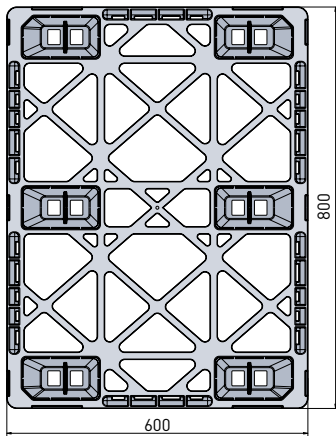


Pallet stack is accessible with forklift tine.

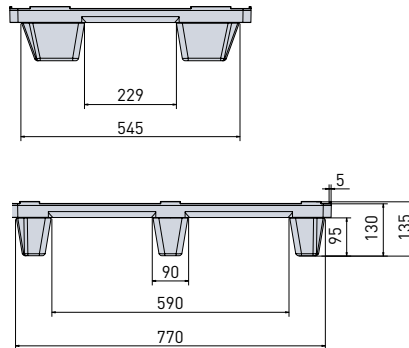
Technical data*1

| | Previous name | Bottom support | Top deck | Dimensions [mm] | Load capacities*2 [kg] | | | Weight [kg] | |
|-----------------|---------------|------------------|----------|-----------------|------------------------|---------|---------|-------------|-----|
| | | | | | Static | Dynamic | Racking | HDPE | PO |
| Nest H3 (OD-6F) | CPP 200 | 6 feet, nestable | open | 800 x 600 x 130 | 2500 | 1000 | — | 3,5 | 4,0 |

Entry: 4 ways | Nesting height: 55 mm | Safety rim: 5 mm (optional without)



nominal sizes in mm



Options

- Color: [other colors on request*3] > Individual marking*3
- Anti-slip: safety rim
- ESD prevention: -



*1 Figures can vary depending on the raw material used and options applied. *2 Guideline values are based both on experience and parts of test ISO 8611, which tests with evenly distributed loads at room temperature (20°C). Varying data may result from different conditions of usage. Your specific requirements can be identified upon request. *3 Minimum quantity required - PO pallets should only be used and stored in a dry environment. We reserve the right to change any of the stated information without prior notice.