

Nest D2

600 x 400



Lightweight, nestable quarter pallet

The quarter pallet for display positioning or for simple use as an one-way shipping pallet. Thanks to its low weight, handling at the Point of Sale is simplified to a significant degree and made safer. Displays can be locked in the intended positions.

Bottom support



> 4 feet (4F)

Deck options



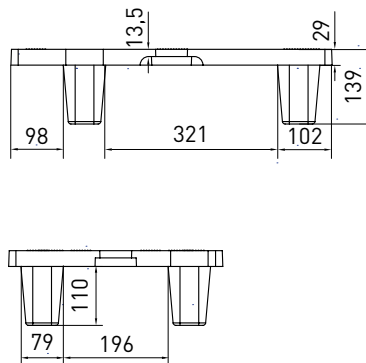
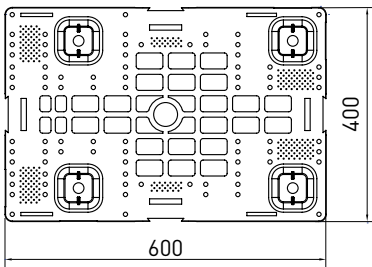
> open deck (OD)



Technical data*1

	Previous name	Bottom support	Top deck	Dimensions [mm]	Load capacities*2 [kg]			Weight [kg]	
					Static	Dynamic	Racking	PP	PO
Nest D2 (OD-4F)	—	4 feet, nestable	open	600 x 400 x 139	800	250	—	1,7	—

Entry: 4 ways | Nesting height: 45 mm | Safety rim: —



nominal sizes in mm

Options

- Color: (other colors on request*3) Individual marking*3
- Anti-slip: —
- ESD prevention: —



*1 Figures can vary depending on the raw material used and options applied. *2 Guideline values are based both on experience and parts of test ISO 8611, which tests with evenly distributed loads at room temperature (20°C). Varying data may result from different conditions of usage. Your specific requirements can be identified upon request. *3 Minimum quantity required - PO pallets should only be used and stored in a dry environment. We reserve the right to change any of the stated information without prior notice.