

# H1

1200 x 800

H1 Pallet



**The standard hygienic pallet with open top deck**

The H1 is used successfully in the food industry for 20 years. It is made from food-grade HDPE and resists as well to cold storage till -40°C as to temperatures up to 70°C. Depending on the application, the pallet is offered with locator blocks, ribs and open or closed runners. In its base version, the pallet is compatible with E1 to E4 Euro plastic containers (400x600). The H1 pallet is also available in the H1-F format suitable for nestable fish crates (400x600 and 400x800).

**Bottom support**



> 3 runners (3R)

**Deck options**



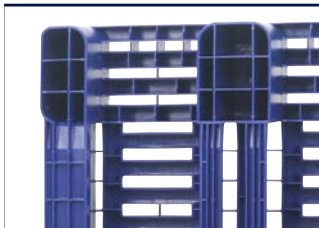
> open deck (OD)



As option: central locator blocks ...



... and ribs for nestable fish crates (H1-F)



Also available in an economical version with open runners.

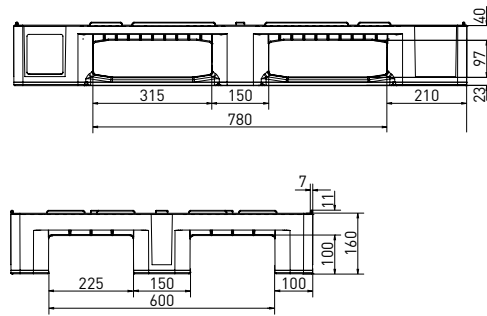
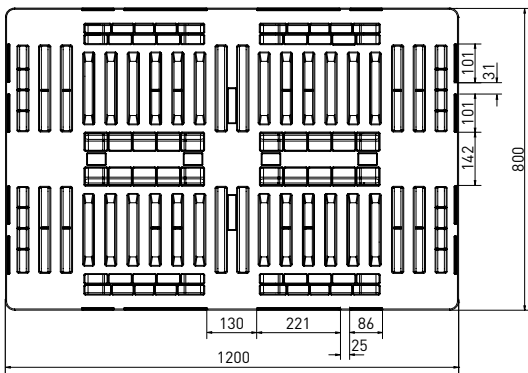


Safe handling of empty pallets

## Technical data\*1

	Previous name	Bottom support	Top deck	Dimensions [mm]	Load capacities*2 [kg]			Weight [kg]	
					Static	Dynamic	Racking	HDPE	PO
H1 (OD-3R)	H1 Pallet	3 runners	open	1200 x 800 x 160	3400	1700	1000	18,0	—

Entry: 4 ways | Nesting height: – | Safety rim: 11 mm



nominal sizes in mm

## Options

- Color:  (other colors on request\*3) > Individual marking\*3
- Anti-slip: safety rim, central locator blocks, ribs for nestable fish crates (H1-F) > RFID transponders
- ESD prevention: –



\*1 Figures can vary depending on the raw material used and options applied. \*2 Guideline values are based both on experience and parts of test ISO 8611, which tests with evenly distributed loads at room temperature (20°C). Varying data may result from different conditions of usage. Your specific requirements can be identified upon request. \*3 Minimum quantity required - PO pallets should only be used and stored in a dry environment. We reserve the right to change any of the stated information without prior notice.