

# Eco i5.1

1200 x 1000

Universal Plastic Pallet



### Plastic pallet for medium loads

The Eco i5.1 has been engineered to offer high performance at low cost, accepting dynamic loads up to 1500 kg and racking loads of 1000 kg - with a net weight of only 14 kg! Ideal for closed loops, distribution, production areas and exports - across all industry sectors - Food, Retail, Newspapers and Pharmaceuticals. The open deck, with flow through block design, ensures effective cleaning and quick drying - either manually or through automated washers.

### Bottom support



> 2 runners (2R)



> 3 runners (3R)



> 5 runners (5R)



Rounded borders reduces the risk of fork access damage

### Deck options



> open deck (OD)



> closed deck (CD)



Flow through block design ensures effective cleaning.

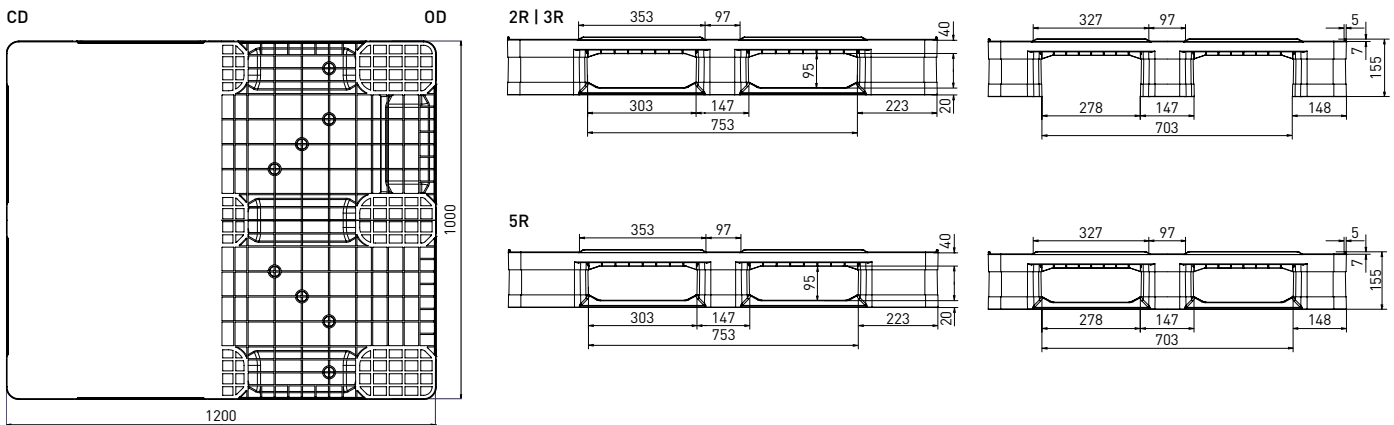


Available with up to 12 anti-slip pads

## Technical data\*1

	Previous name	Bottom support	Top deck	Dimensions [mm]	Load capacities*2 [kg]			Weight [kg]	
					Static	Dynamic	Racking	PP	PO
Eco i5.1 (CD-2R)	Universal Plastic Pallet	2 runners	closed	1200 x 1000 x 150	3000	1500	750	15,0	-
Eco i5.1 (OD-3R)			open	1200 x 1000 x 155	4000		1000	14,0	
Eco i5.1 (CD-3R)		3 runners	closed	1200 x 1000 x 150	3000		750	16,0	
Eco i5.1 (OD-5R)			open	1200 x 1000 x 155	4000		1000	15,0	

Entry: 4 ways | Nesting height: - | Safety rim: 7 mm (optional without)



nominal sizes in mm

## Options

- Color:   (other colors on request\*3) > Individual marking\*3
- Anti-slip: safety rim, strips on deck (CD), grommets on deck (OD), grommets under deck > RFID transponders  
> Fire retardant
- ESD prevention: anti-static



\*1 Figures can vary depending on the raw material used and options applied. \*2 Guideline values are based both on experience and parts of test ISO 8611, which tests with evenly distributed loads at room temperature (20°C). Varying data may result from different conditions of usage. Your specific requirements can be identified upon request. \*3 Minimum quantity required - PO pallets should only be used and stored in a dry environment. We reserve the right to change any of the stated information without prior notice.